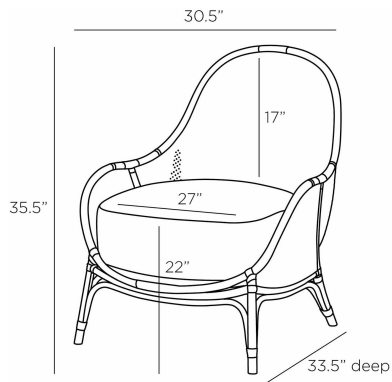


# ARTERIOS

## BONNIE LOUNGE CHAIR



FRS07  
Noir, Faux Leather

Sophisticated black rattan updates a traditional wicker lounge. Designed with rounded armrests and an egg-shaped back to encircle the body. Woven in a fine herringbone pattern and layered with a faux leather seat in noir. Rattan and leather will vary.

### APPEARANCE

Materials	Faux Leather, Rattan
Finishes	Noir, Black
Finish Will Vary	Yes
Top Coat/Sealant	Yes

### DIMENSIONS

Overall	W: 30.5 in x D: 33.5 in x H: 35.5 in
Foot Print	W: 27 in x D: 25 in
Arm	W: 1.5 in x D: 12 in x H: 23 in
Seat Back	W: 27 in x H: 17 in
Seat	W: 25 in x D: 27 in x H: 22 in
Diagonal Dimensions	W: 45 in

### SHIPPING

Shipping Requirements	Truck Ship
Product Weight	35.8 lbs
Gross Weight 1	58.4 lbs
Gross Weight 2	8.0 lbs
Shipping Box 1	W: 33.0 in x D: 38.5 in x H: 38.5 in
Shipping Box 2	W: 28.0 in x D: 28.0 in x H: 11.0 in

### ADDITIONAL INFO

Features	Sustainable
Fabric Certification	NFPA-260, TB117-2013
Fabric Composition	100% PVC, 75% Polyester/25% Cotton Backing
Fabric Cleaning Code	P - clean with detergent & water
Fabric Wear Abrasion	100,000
Reupholstery Requirements	3 Yards
Base/Foot Type	Nylon Glides

### CONTRACT

Contract Suitability	Contract Suitable With Conditions
Contract Conditions	Not for use in high traffic/public spaces
Contract Textile Suitability	High Traffic/Public Spaces

### SWATCHES

T38SW 4x4 Swatch: Noir Faux Leather