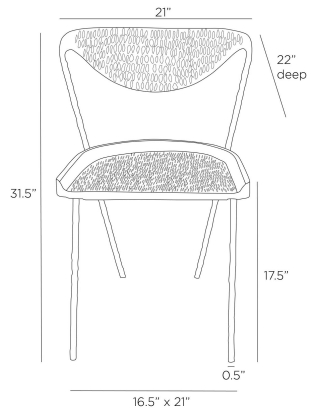


# ARTERIOS

## FLETCHER DINING CHAIR



FRI23  
Ebony, Wood

Designed to hug the body, a contemporary modern chair possesses a curved integrated metal back inspired by a suspension bridge. The recessed seat of ebony mango wood is paired with angled legs of blackened iron, delivering a look of lightness and ease belied by this style's substantial base.

### APPEARANCE

Materials	Wood, Iron
Finishes	Ebony, Blackened Iron
Finish Will Vary	No
Top Coat/Sealant	Yes

### DIMENSIONS

Overall	W: 21 in x D: 22 in x H: 31.5 in
Foot Print	W: 16.5 in x D: 21 in
Arm	W: 0.5 in x D: 5 in x H: 30 in
Leg	Dia: 0.5 in
Seat Back	W: 20 in x D: 0.5 in x H: 14 in
Seat	W: 19.5 in x D: 19 in x H: 18 in
Diagonal Dimensions	W: 38.5 in

### SHIPPING

Shipping Requirements	Truck Ship
Product Weight	28.0 lbs
Gross Weight 1	40.0 lbs
Shipping Box 1	W: 27.5 in x D: 23.0 in x H: 36.5 in

### ADDITIONAL INFO

Base/Foot Type	Vinyl Caps
----------------	------------

### CONTRACT

Contract Suitability	Contract Suitable With Conditions
Contract Conditions	Not for use in high traffic/public spaces

### REPLACEMENT PARTS

FRI23FOOT