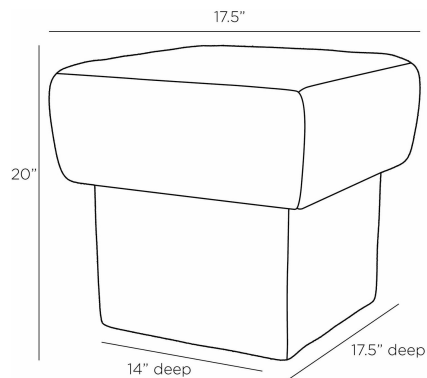


ARTERIOS

ATHENS OTTOMAN OLIVE BOUCLÉ



FOU03
Olive, Bouclé

This mushroom-shaped stool is a delightful pop of color and texture. A well-padded seat of olive bouclé rests atop a matching base.

APPEARANCE

Materials	Bouclé
Finishes	Olive
Finish Will Vary	No
Top Coat/Sealant	No

DIMENSIONS

Overall	W: 17.5 in x D: 17.5 in x H: 20 in
Foot Print	W: 14 in x D: 14 in
Diagonal Dimensions	W: 26 in

SHIPPING

Product Weight	23.1 lbs
Gross Weight 1	33.1 lbs
Shipping Box 1	W: 21.5 in x D: 21.5 in x H: 24.0 in

ADDITIONAL INFO

Fabric Certification	NFPA-260, TB117-2013
Fabric Composition	48% Acrylic, 36% Wool, 16% Polyester
Fabric Cleaning Code	S - dry clean only
Fabric Wear Abrasion	48,000
Reupholstery Requirements	1.5 Yards
Base/Foot Type	Glides

CONTRACT

Contract Suitability	Contract Suitable As Is
Contract Textile Suitability	Low Traffic/Private Spaces

SWATCHES

X64SW 4x4 Swatch: Texao Olive Bouclé