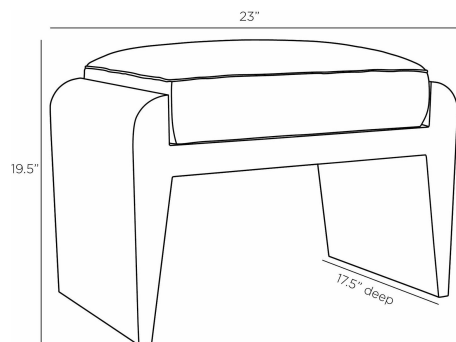


ARTERIOS

ALANNA OTTOMAN



FOS02
Sand, Faux Leather

Using a lacquer technique, our ivory-finished stool has a timeless appeal. Clean lines and curved angles allow it to work with a myriad of décor styles. Topped with a sand faux leather seat.

APPEARANCE

Materials	Faux Leather, Lacquer
Finishes	Sand, Ivory
Finish Will Vary	No
Top Coat/Sealant	No

DIMENSIONS

Overall	W: 23 in x D: 17.5 in x H: 19.5 in
Foot Print	W: 23 in x D: 16 in
Seat	W: 19 in x D: 17.5 in x H: 19.5 in

SHIPPING

Product Weight	25.0 lbs
Gross Weight 1	30.8 lbs
Gross Weight 2	10.0 lbs
Shipping Box 1	W: 18.0 in x D: 19.0 in x H: 26.0 in
Shipping Box 2	W: 18.0 in x D: 20.0 in x H: 8.0 in

ADDITIONAL INFO

Fabric Certification	NFPA-260, TB117-2013
Fabric Composition	100% Polyurethane, 100% Polyester Backing
Fabric Cleaning Code	P - clean with detergent & water
Fabric Wear Abrasion	250,000
Reupholstery Requirements	27 Square Feet
Base/Foot Type	Nylon Glides

CONTRACT

Contract Suitability	Contract Suitable With Conditions
Contract Conditions	For an additional fee, a clear, protective coating can be added
Contract Textile Suitability	High Traffic/Public Spaces

SWATCHES

ILSW	4x4 Swatch: Ivory Lacquer
T37SW	4x4 Swatch: Sand Faux Leather