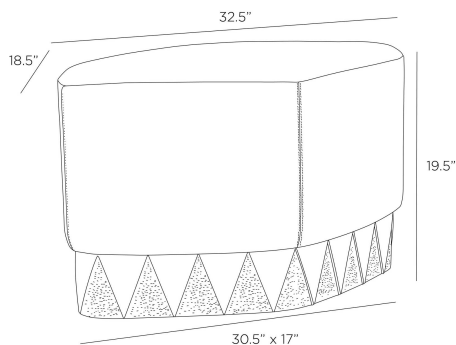


# ARTERIOS

## DUVALL OTTOMAN



FOI12  
Slate Grey, Suede

We took a cue from the lines of Art Deco architecture for a rhombus-shaped ottoman of lush slate grey suede. Poised on a folded antique brass base, its muscular details and dimpled diamond texture recall the fine craftsmanship found in armor. Designed with soft corners to display horizontally or in a pair. Suede will vary.

### APPEARANCE

Materials	Suede, Brass
Finishes	Slate Grey, Antique Brass
Finish Will Vary	Yes
Top Coat/Sealant	Yes

### DIMENSIONS

Overall	W: 32.5 in x D: 18.5 in x H: 19.5 in
Foot Print	W: 30.5 in x D: 17 in
Diagonal Dimensions	W: 27 in

### SHIPPING

Product Weight	28.3 lbs
Gross Weight 1	38.81 lbs
Shipping Box 1	W: 21.25 in x D: 21.25 in x H: 35.4 in

### ADDITIONAL INFO

Disclaimers	Due to the hand dyed suede, there will be varinaces from lot to lot. The gray suede can be more green or blue depending on the lot.
Fabric Certification	NFPA-260, TB117-2013
Fabric Composition	100% Leather
Fabric Cleaning Code	S - dry clean only
Reupholstery Requirements	3.5 Yards

### CONTRACT

Contract Suitability	Contract Suitable As Is
Contract Textile Suitability	High Traffic/Public Spaces