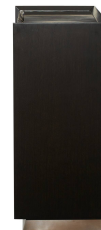
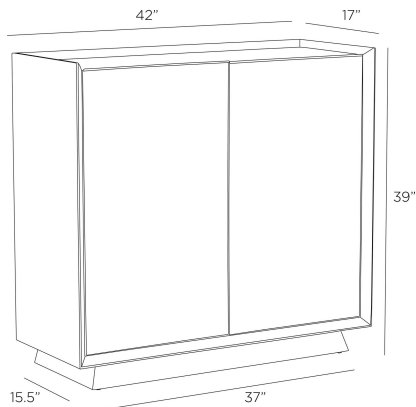


ARTERIOS

HUDSON CABINET



FNS16
Sable, Oak Oystered Veneer

Utilizing a technique that dates to 17th-century Europe, the Hudson is finished with carefully applied sable oak veneer using the oystering parquetry technique across the front of a matching sable oak veneer frame. Chamfered at the top frame and finger pulls, it is finished with a recessed top and angular plinth antique brass base. The single adjustable shelf makes it a versatile cabinet for any home. Oyster will vary.

APPEARANCE

Materials	Oak Oystered Veneer, Oak Veneer, Brass
Finishes	Sable, Sable, Antique Brass
Finish Will Vary	Yes
Top Coat/Sealant	Yes

DIMENSIONS

Overall	W: 42 in x D: 17 in x H: 39 in
Foot Print	W: 37 in x D: 15.5 in
Door	W: 33.5 in x D: 19.5 in x H: 1 in
Shelf	W: 39 in x D: 13.5 in x H: 1.5 in
Diagonal Dimensions	W: 43 in

SHIPPING

Shipping Requirements	Special Handling Required
Product Weight	199.7 lbs
Gross Weight 1	242.5 lbs
Shipping Box 1	W: 20.1 in x D: 45.0 in x H: 45.0 in

ADDITIONAL INFO

Features	Anti-Tip Kit Included
Shelf Count	1
Base/Foot Type	Adjustable Levelers

CONTRACT

Contract Suitability	Contract Suitable As Is
----------------------	-------------------------

SWATCHES

SB2X2	2x2 Swatch: Sable Oak
SOOWS	2x2 Swatch: Sable Oak Oystered Wood
W	