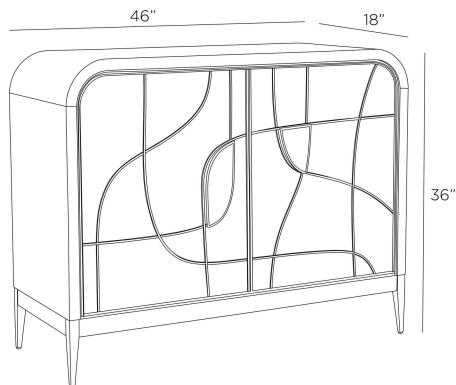


ARTERIOS

HARDIN CABINET



FNS15
Beige, Seagrass Cloth

This handsome buffet-style cabinet delivers both style and function. Set within the waterfall veneer frame of oyster oak, panels of beige seagrass cloth are bracketed by linework in a playful pattern of heritage brass. Inspired by modernist sculpture, the integrated custom heritage brass hardware pulls have a tactile groove for easy opening. Inside lies a single adjustable shelf.

APPEARANCE

Materials	Seagrass Cloth, Oak Veneer, Brass
Finishes	Beige, Oyster, Heritage Brass
Finish Will Vary	No
Top Coat/Sealant	Yes

DIMENSIONS

Overall	W: 46 in x D: 18 in x H: 36 in
Foot Print	W: 46 in x D: 18 in
Door	W: 21.5 in x D: 1 in x H: 26.5 in
Shelf	W: 21 in x D: 15.5 in x H: 1.5 in
Diagonal Dimensions	W: 40.5 in

SHIPPING

Shipping Requirements	Special Handling Required
Product Weight	149.2 lbs
Gross Weight 1	194.0 lbs
Shipping Box 1	W: 22.0 in x D: 49.25 in x H: 41.0 in

ADDITIONAL INFO

Shelf Count	2
Base/Foot Type	Adjustable Nylon Glides

CONTRACT

Contract Suitability	Contract Suitable As Is
----------------------	-------------------------

SWATCHES

OWSW	2x2 Swatch: Oyster Wood
BGSSW	2x2 Swatch: Beige Seagrass