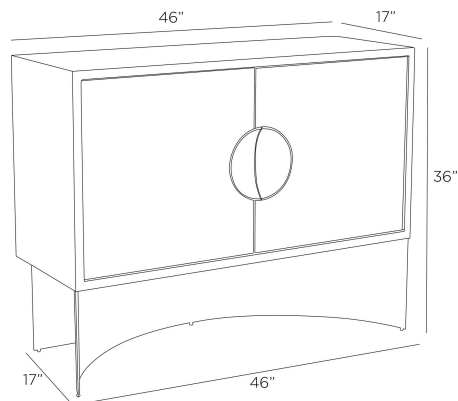


# ARTERIOS

## JOHN SHORT CABINET



FNS14  
Brindle, Eucalyptus Veneer

Darkly luminous, our sable oak veneer cabinet's doors are accented with dual iron antique brass pulls. Adorned in a Deco-inspired radial eucalyptus veneer pattern in a brindle finish, this style draws the eye wherever it is placed. The flowing metal planes of its rounded base lends an airy yet grounded quality to this essential piece. Single adjustable shelf. Finish will vary.

### APPEARANCE

Materials	Eucalyptus Veneer, Oak Veneer, Iron
Finishes	Brindle, Sable, Antique Brass
Finish Will Vary	Yes
Top Coat/Sealant	Yes

### DIMENSIONS

Overall	W: 46 in x D: 17 in x H: 36 in
Foot Print	W: 46 in x D: 17 in
Door	W: 22 in x D: 1 in x H: 22 in
Cabinet Interior	W: 21.5 in x D: 15.5 in x H: 22 in
Shelf	W: 21.5 in x D: 14.5 in x H: 1 in
Diagonal Dimensions	W: 40 in

### SHIPPING

Shipping Requirements	Special Handling Required
Product Weight	193.0 lbs
Gross Weight 1	213.0 lbs
Shipping Box 1	W: 22.05 in x D: 49.21 in x H: 40.75 in

### ADDITIONAL INFO

Features	Anti-Tip Kit Included
Shelf Count	2

### CONTRACT

Contract Suitability	Contract Suitable As Is
----------------------	-------------------------

### REPLACEMENT PARTS

SHELFPIN1

### SWATCHES

SB2X2	2x2 Swatch: Sable Oak
BWSW	2x2 Swatch: Brindle Wood