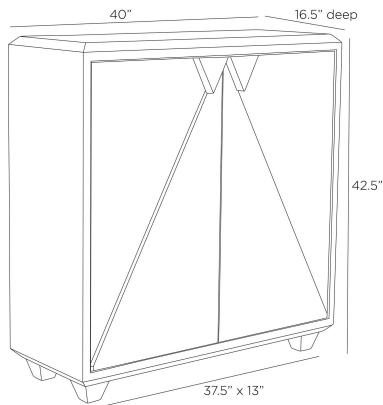


ARTERIOS

ELLINGTON CABINET



FNS13
Gray Straw Marquetry, Boiled Straw

The classic techniques of gray straw marquetry inspired the Ellington. Marquetry made of boiled straw reflects the light, applied in an armor-like faceted patterns. Accented with triangular iron bronze pulls, two doors open to on adjustable hinges to unveil shelving. Framed in ebony oak veneer. Finish will vary.

APPEARANCE

Materials	Boiled Straw, Oak Veneer, Iron
Finishes	Gray Straw Marquetry, Ebony, Bronze
Finish Will Vary	Yes
Top Coat/Sealant	Yes

DIMENSIONS

Overall	W: 40 in x D: 16.5 in x H: 42.5 in
Foot Print	W: 37.5 in x D: 13.5 in
Door	W: 19 in x D: 1 in x H: 35.5 in
Cabinet Interior	W: 37.5 in x D: 13.5 in x H: 35 in
Shelf	W: 38 in x D: 13.5 in x H: 1 in
Diagonal Dimensions	W: 46 in

SHIPPING

Shipping Requirements	Special Handling Required
Product Weight	179.0 lbs
Gross Weight 1	195.0 lbs
Shipping Box 1	W: 20.28 in x D: 43.11 in x H: 45.67 in

ADDITIONAL INFO

Features	Anti-Tip Kit Included
Shelf Count	2
Base/Foot Type	Adjustable Glides

CONTRACT

Contract Suitability	Contract Suitable As Is
----------------------	-------------------------

REPLACEMENT PARTS

SHELFPIN1

SWATCHES

EB2X2 2x2 Swatch: Ebony Oak
GSM5W 2x2 Swatch: Gray Straw Marquetry