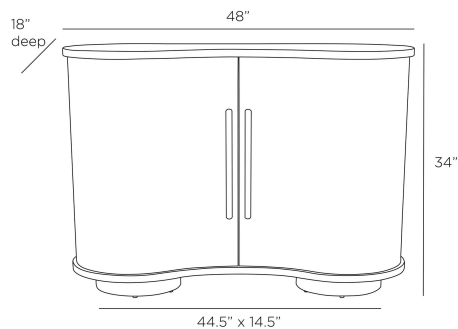


ARTERIOS

TILTON CABINET



FNS03
Chateau Smoke, Oak Veneer

Designed with a sinuous profile, our small-scale Tilton cabinet imparts vintage character. The storage piece is crafted in chateau smoke oak veneer with a grooved façade, reminiscent of a roll-front desk, and rests on a plinth base in vintage-brass iron. Elongated hardware in a vintage brass finish embellishes the cabinet. Inside, the piece is fitted with adjustable wood shelves. Finish will vary.

APPEARANCE

Materials	Oak Veneer, Iron
Finishes	Chateau Smoke, Vintage Brass
Finish Will Vary	Yes
Top Coat/Sealant	Yes

DIMENSIONS

Overall	W: 48 in x D: 18 in x H: 34 in
Foot Print	W: 44.5 in x D: 14.5 in
Shelf	W: 44.5 in x D: 14 in x H: 1 in
Diagonal Dimensions	W: 38.5 in

SHIPPING

Shipping Requirements	Special Handling Required
Product Weight	184.0 lbs
Gross Weight 1	194.0 lbs
Shipping Box 1	W: 37.01 in x D: 20.87 in x H: 51.18 in

ADDITIONAL INFO

Features	Anti-Tip Kit Included
Base/Foot Type	Glides

CONTRACT

Contract Suitability	Contract Suitable As Is
----------------------	-------------------------

REPLACEMENT PARTS

SHELFPIN1

SWATCHES

CSWSW 2x2 Swatch: Chateau Smoke