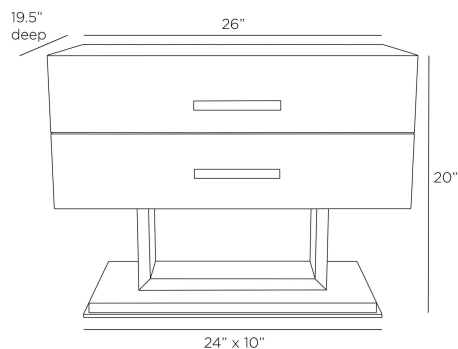


# ARTERIOS

## TATRO SIDE TABLE



F1101  
Ivory, Leather

Our inspired, two-drawer Tatro side table is composed in an architectural design, with a stitched, ivory leather case that cantilevers over an open pedestal base framework of ebony oak, imparting a floating effect. A plinth of oak and antique brass grounds the storage table, with drawers lined in cream suede. Finish will vary.

### APPEARANCE

|                  |                                    |
|------------------|------------------------------------|
| Materials        | Leather, Oak Wood, Brass, Suede    |
| Finishes         | Ivory, Ebony, Antique Brass, Cream |
| Finish Will Vary | Yes                                |
| Top Coat/Sealant | Yes                                |

### DIMENSIONS

|                     |                                   |
|---------------------|-----------------------------------|
| Overall             | W: 26 in x D: 19.5 in x H: 20 in  |
| Foot Print          | W: 24 in x D: 10 in               |
| Drawer Exterior     | W: 26 in x H: 5 in                |
| Drawer Interior     | W: 23 in x D: 14.5 in x H: 2.5 in |
| Diagonal Dimensions | W: 27.5 in                        |

### SHIPPING

|                       |                                |
|-----------------------|--------------------------------|
| Shipping Requirements | Truck Ship                     |
| Product Weight        | 89.0 lbs                       |
| Gross Weight 1        | 95.0 lbs                       |
| Shipping Box 1        | W: 24 in x D: 32 in x H: 30 in |

### CONTRACT

|                      |                         |
|----------------------|-------------------------|
| Contract Suitability | Contract Suitable As Is |
|----------------------|-------------------------|