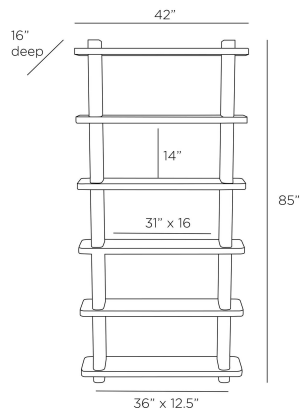


ARTERIOS

TRITON BOOKSHELF



FGS02
Oyster, Oak Veneer

Imaginative design and tonal beauty come together in our Triton bookshelf. The six-shelf unit is crafted with capsule-shaped, matte white lacquer shelves that appear to pierce through the two rounded, vertical, oyster oak veneer sides. Finish will vary.

APPEARANCE

Materials	Oak Veneer, Lacquer
Finishes	Oyster, White
Finish Will Vary	Yes
Top Coat/Sealant	Yes

DIMENSIONS

Overall	W: 42 in x D: 16 in x H: 85 in
Foot Print	W: 36 in x D: 12.5 in
Shelf	W: 31 in x D: 16 in x H: 1.5 in
Diagonal Dimensions	W: 86.5 in

SHIPPING

Shipping Requirements	Truck Ship
Product Weight	237.0 lbs
Gross Weight 1	247.0 lbs
Shipping Box 1	W: 87.6 in x D: 19.7 in x H: 45.87 in

ADDITIONAL INFO

Shelf Count	6
Base/Foot Type	Glides

CONTRACT

Contract Suitability	Contract Suitable As Is
----------------------	-------------------------

SWATCHES

WLSW	2x2 Swatch: White Lacquer
OWSW	2x2 Swatch: Oyster Wood