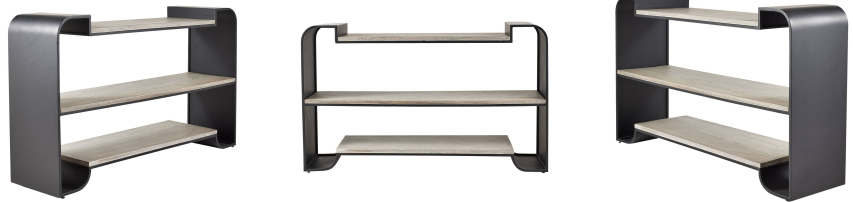
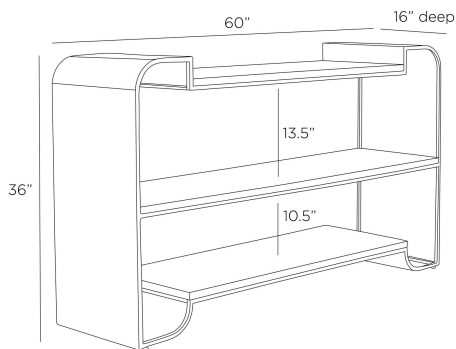


ARTERIOS

EPTON BOOKSHELF



FGI04
Smoke, Wood

Inspired by industrial style yet equally at home in a contemporary space, a balanced etagere suspends smoke mango wood within a framework of blackened bronze iron. The shelving floats between linear and curved elements with a waterfall effect. Finish will vary.

APPEARANCE

Materials	Wood, Iron
Finishes	Smoke, Blackened Bronze
Finish Will Vary	Yes
Top Coat/Sealant	Yes

DIMENSIONS

Overall	W: 60 in x D: 16 in x H: 36 in
Foot Print	W: 60 in x D: 16 in
Bottom Shelf	W: 43.5 in x D: 16 in x H: 1 in
Middle Shelf	W: 58.5 in x D: 16 in x H: 1 in
Top Shelf	W: 41.5 in x D: 16 in x H: 1 in
Diagonal Dimensions	W: 39.5 in

SHIPPING

Shipping Requirements	Truck Ship
Product Weight	149.0 lbs
Gross Weight 1	176.84 lbs
Shipping Box 1	W: 40.0 in x D: 20.0 in x H: 64.0 in

ADDITIONAL INFO

Shelf Count	3
-------------	---

CONTRACT

Contract Suitability	Contract Suitable With Conditions
Contract Conditions	For an additional fee, a clear, protective coating can be added