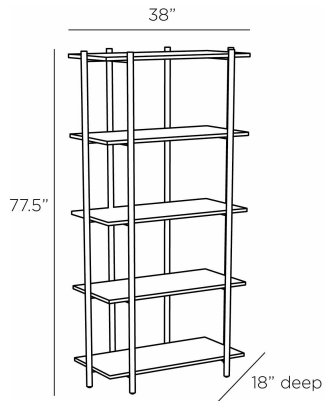


ARTERIOS

ANDOR ETAGERE



FGI03
Ebony, Wood

The simplistic design and good hand of a leather steering wheel influenced the look of our modernist etagerie. Six offset legs wrapped in topstitched dim gray leather offer a textural counterpoint to a balanced quartet of ebony-finished oak shelves. Leather will vary.

APPEARANCE

Materials	Wood, Leather
Finishes	Ebony, Dim Gray
Finish Will Vary	Yes
Top Coat/Sealant	Yes

DIMENSIONS

Overall	W: 38 in x D: 18 in x H: 77.5 in
Foot Print	W: 38 in x D: 18 in
Shelf	W: 35.5 in x D: 14.5 in x H: 1 in
Diagonal Dimensions	W: 82 in

SHIPPING

Shipping Requirements	Special Handling Required
Product Weight	136.5 lbs
Gross Weight 1	173.31 lbs
Shipping Box 1	W: 21.0 in x D: 81.0 in x H: 42.0 in

ADDITIONAL INFO

Features	Anti-Tip Kit Included
Base/Foot Type	Glides

CONTRACT

Contract Suitability	Contract Suitable With Conditions
Contract Conditions	For an additional fee, a clear, protective coating can be added

SWATCHES

T49SW 4x4 Swatch: Dim Gray Leather