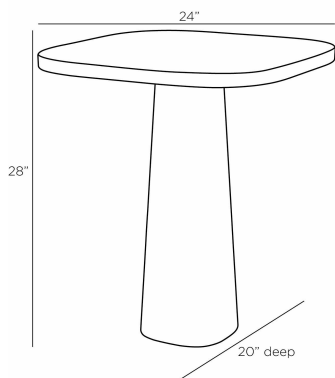


# ARTERIO RS

## BLYTHE LARGE END TABLE



FES06  
Artichoke, Fiberglass

Pairing the best contemporary and modern design, artichoke lacquer of the deepest hue gives our essential end table a refined finish. A thick-rimmed top juxtaposes a solid tapered base for the perfect mix of form and function.

### APPEARANCE

Materials	Fiberglass
Finishes	Artichoke
Finish Will Vary	No
Top Coat/Sealant	No

### DIMENSIONS

Overall	W: 24 in x D: 20 in x H: 28 in
---------	--------------------------------

### SHIPPING

Shipping Requirements	Truck Ship
Product Weight	52.0 lbs
Gross Weight 1	68.34 lbs
Shipping Box 1	W: 25.0 in x D: 39.0 in x H: 34.0 in

### ADDITIONAL INFO

Base/Foot Type	Felt Pads
----------------	-----------

### CONTRACT

Contract Suitability	Not Contract Suitable
Tilt Test Degrees	Does Not Pass

### SWATCHES

AKLSW 4x4 Swatch: Artichoke Lacquer