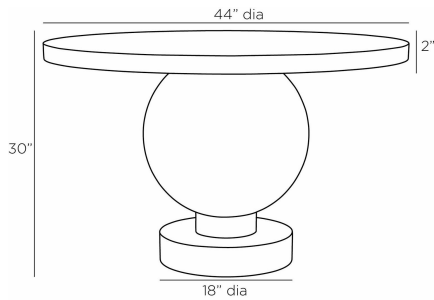


ARTERIOS

BRENNA ENTRY TABLE



FDS07
Sahara Faux Marble, Concrete Composite

Give any entryway immediate impact with our marble-like pedestal table. Its sculptural top playfully balances on a totemic base. Crafted of concrete, it is both luxe and surprisingly lightweight. The Brenna's sahara marble-like façade is crafted through a process called hydrographics, assuring each piece will vary slightly in color and veining.

APPEARANCE

Materials	Concrete Composite
Finishes	Sahara Faux Marble
Finish Will Vary	Yes
Top Coat/Sealant	Yes

DIMENSIONS

Overall	Dia: 44.0 in x H: 30 in
Foot Print	Dia: 18.0 in
Table Top	Dia: 44.0 in x H: 2 in
Diagonal Dimensions	W: 53.5 in

SHIPPING

Shipping Requirements	Truck Ship
Product Weight	157.0 lbs
Gross Weight 1	90.0 lbs
Gross Weight 2	163.0 lbs
Shipping Box 1	W: 26.0 in x D: 26.0 in x H: 35.0 in
Shipping Box 2	W: 50.8 in x D: 50.8 in x H: 7.0 in

ADDITIONAL INFO

Features	Assembly Required, Hardware Included
Disclaimers	These unique designs make beautiful dining tables, but please note that placing hot or wet items on the surface can mar the finish.
Base/Foot Type	Adjustable Levellers

CONTRACT

Commercial Maintenance	Hardware will need to be occasionally tightened.
Contract Suitability	Contract Suitable As Is

SWATCHES

SCSW 4x4 Swatch: Sahara Concrete