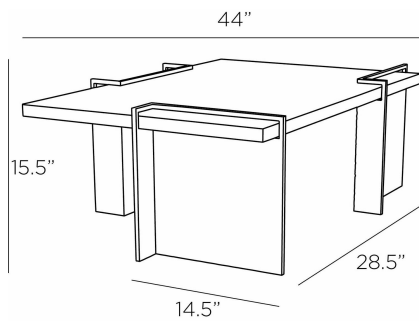


ARTERIOS

BODA COFFEE TABLE



FCI09
Capri, Marble

A refined mix of materials makes an intriguing pairing in a naturally textured marble and laser-cut iron Boda cocktail table. Three intersecting planes of textured blackened iron "float" a capri marble top, resulting in a surprisingly ethereal effect. Finish will vary.

APPEARANCE

Materials	Marble, Iron
Finishes	Capri, Blackened Iron
Finish Will Vary	Yes
Top Coat/Sealant	Yes

DIMENSIONS

Overall	W: 44 in x D: 28.5 in x H: 15.5 in
Foot Print	W: 44 in x D: 28.5 in
Leg	W: 14.5 in x D: 4 in
Table Top	W: 43 in x D: 27 in x H: 1.5 in
Diagonal Dimensions	W: 32 in

SHIPPING

Shipping Requirements	Truck Ship
Product Weight	197.1 lbs
Gross Weight 1	60.64 lbs
Gross Weight 2	162.3 lbs
Shipping Box 1	W: 20.0 in x D: 10.0 in x H: 10.0 in
Shipping Box 2	W: 49.0 in x D: 33.0 in x H: 9.0 in

ADDITIONAL INFO

Features	Assembly Required, Hardware Included
Disclaimers	As a natural material, color variation is to be expected in marble. The color has been determined randomly depending on what mineral content makes up each batch when the marble is formed. Small pits or divots are a common occurrence as well.

CONTRACT

Commercial Maintenance	Hardware will need to be occasionally tightened.
Contract Suitability	Contract Suitable With Conditions
Contract Conditions	Natural stone requires periodic sealing, For an additional fee, a clear, protective coating can be added