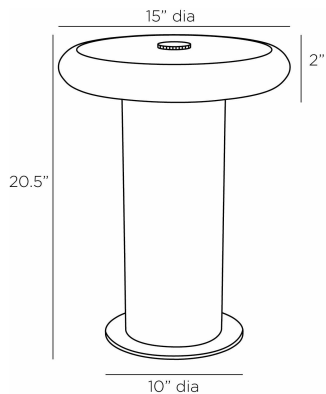


ARTERIOS

BUCKLEY ACCENT TABLE



FA111
Smoke, Glass

This sleight-of-hand material mix draws the best from the industrial and natural worlds. Buckley's solid column of mango wood in a washed tobacco finish is topped with smoke cast glass for interest and finished with a blackened iron base. Its bullnose profile is adorned with a blackened iron screw at the top for easy lifting and moving. Wood and glass will vary.

APPEARANCE

Materials	Glass, Wood, Iron
Finishes	Smoke, Washed Tobacco, Blackened Iron
Finish Will Vary	Yes
Top Coat/Sealant	Yes

DIMENSIONS

Overall	Dia: 15.0 in x H: 20.5 in
Foot Print	Dia: 10.0 in
Table Top	Dia: 15.0 in x H: 2 in
Diagonal Dimensions	W: 25.5 in

SHIPPING

Product Weight	46.4 lbs
Gross Weight 1	57.55 lbs
Shipping Box 1	W: 18.8 in x D: 18.8 in x H: 26.8 in

ADDITIONAL INFO

Base/Foot Type	Felt
----------------	------

CONTRACT

Contract Suitability	Contract Suitable With Conditions
Contract Conditions	Untempered glass
Tilt Test Degrees	12 Degrees