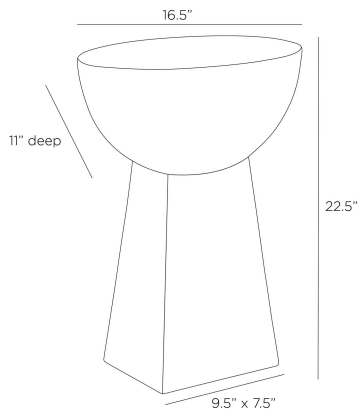


# ARTERIOS

## DORIAN ACCENT TABLE



FAC02  
Chai Travertine, Concrete  
Composite

A geometric accent table is crafted of chai travertine concrete and black resin. The mixed textural finish of the concrete rounded top and geometric base adds a ceremonial quality to its intersecting form. Finish will vary.

### APPEARANCE

Materials	Concrete Composite, Resin
Finishes	Chai Travertine, Black
Finish Will Vary	Yes
Top Coat/Sealant	No

### DIMENSIONS

Overall	W: 16.5 in x D: 11 in x H: 22.5 in
Foot Print	W: 9.5 in x D: 7.5 in
Table Top	W: 16.5 in x D: 11 in x H: 8.5 in
Diagonal Dimensions	W: 28 in

### SHIPPING

Shipping Requirements	Truck Ship
Product Weight	65.0 lbs
Gross Weight 1	70.33 lbs
Shipping Box 1	W: 26.75 in x D: 15.63 in x H: 21.0 in

### CONTRACT

Contract Suitability	Contract Suitable As Is
----------------------	-------------------------