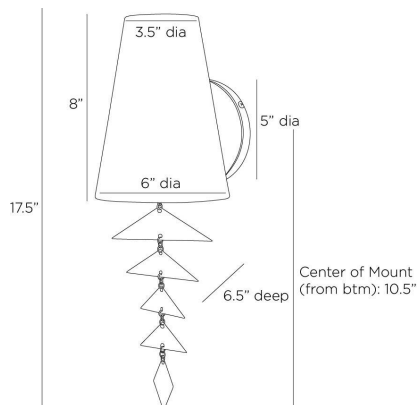


# ARTERIO RS

## ELLIE SCNCE



DWI15  
Burnt Bronze, Iron

The traditional shaded sconce of burnt bronze-plated iron gets a whimsical twist with the addition of free-hanging panes. Recalling a delicate fishbone or windchime blowing in the wind, the reflective movement adds charm and intrigue wherever it is hung. Finish will vary.

### APPEARANCE

Materials	Iron
Finishes	Burnt Bronze
Finish Will Vary	Yes
Top Coat/Sealant	Yes

### DIMENSIONS

Overall	W: 6 in x D: 6.5 in x H: 17.6 in
Backplate	Dia: 5.0 in
Shade Top	Dia: 3.5 in
Shade	Dia: 6.0 in x H: 8 in
Shade Bottom	Dia: 6.0 in
Wall Sconce Hanging Orientation	Vertical Only
Center of Mount from Bottom	H: 10.5 in

### WIRING

Wire Rating	Damp
Cord	1 FT, Clear/Silver, SVT
Socket	1, Type B - E12
Suggested Bulb Type	G12
Maximum Wattage	40.0
Voltage	110-120 V

### CERTIFICATIONS & COMPLIANCY

Certifications	Middle East, European Union, United Kingdom, Australia, Mexico, United States, Canada
Compliance	RoHS, UL/ETL, CB

### SHIPPING

Product Weight	2.2 lbs
Gross Weight 1	5.0 lbs
Shipping Box 1	W: 10.24 in x D: 11.02 in x H: 11.02 in

### CONTRACT

Contract Suitability	Contract Suitable As Is
----------------------	-------------------------