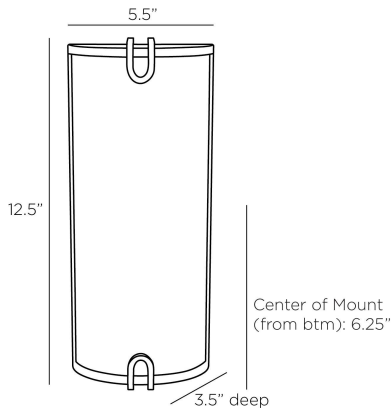


# ARTERIO RS

## ADRIEL SCONCE



DW110  
Antique Mercury, Glass

Designed to recall antique theater lighting, the mesmerizing finish of Mercury glass makes this glass-shaded sconce a standout in any décor. Mounted in a frame of antique brass iron, it is sure to deliver the drama. Certified for damp locations and intended for interior use. Finish will vary.

### APPEARANCE

|                  |                                |
|------------------|--------------------------------|
| Materials        | Glass, Iron                    |
| Finishes         | Antique Mercury, Antique Brass |
| Finish Will Vary | Yes                            |
| Top Coat/Sealant | Yes                            |

### DIMENSIONS

|                             |                                    |
|-----------------------------|------------------------------------|
| Overall                     | W: 5.5 in x D: 3.5 in x H: 12.5 in |
| Backplate                   | W: 5.5 in x D: 0.5 in x H: 12.5 in |
| Center of Mount from Bottom | H: 6.25 in                         |

### WIRING

|                     |                             |
|---------------------|-----------------------------|
| Wire Rating         | Damp                        |
| Cord                | 0.5 FT, Clear/Silver, SPT-2 |
| Socket              | 2, Type B - E12             |
| Suggested Bulb Type | B8                          |
| Maximum Wattage     | 25.0                        |
| Voltage             | 110-120 V                   |

### CERTIFICATIONS & COMPLIANCY

|                |   |
|----------------|---|
| Certifications | Middle East, European Union, United Kingdom, Australia, Mexico, United States, Canada |
| Compliance     | RoHS, UL/ETL, CB  |

### SHIPPING

|                |                                     |
|----------------|-------------------------------------|
| Product Weight | 4.4 lbs                             |
| Gross Weight 1 | 6.61 lbs                            |
| Shipping Box 1 | W: 7.5 in x D: 15.4 in x H: 16.1 in |

### ADDITIONAL INFO

|          |     |
|----------|-----|
| Features | ADA |
|----------|-----|

### CONTRACT

|                      |                         |
|----------------------|-------------------------|
| Contract Suitability | Contract Suitable As Is |
|----------------------|-------------------------|

### REPLACEMENT PARTS

DW110GLS