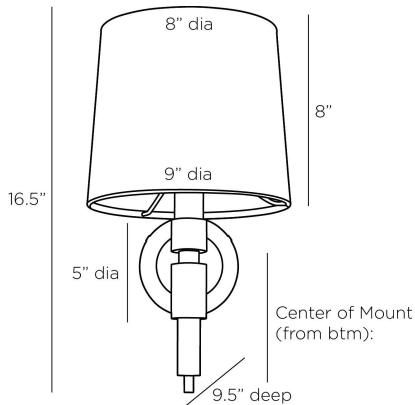


ARTERIOS

ALLMAN SCONCE



DWI09-107
Bronze, Iron

Taking the machined form of wood turned on a lathe into a modernist dimension, the Allman features a pairing of limewashed mango wood and bronze finish. Mounted on a circular bronze finished iron backplate, this fixture's sleek profile adapts itself to any aesthetic. Certified for damp locations and intended for interior use. Finish will vary.

APPEARANCE

Materials	Iron, Wood, Linen, Cotton
Finishes	Bronze, Lime Wash, White, White
Finish Will Vary	Yes
Top Coat/Sealant	Yes

DIMENSIONS

Overall	W: 9 in x D: 9.5 in x H: 16.5 in
Backplate	D: 1 in x Dia: 5.0 in
Shade Top	Dia: 8.0 in
Shade Side	H: 8 in
Shade Bottom	Dia: 9.0 in
Wall Sconce Hanging Orientation	Horizontal Only
Center of Mount from Bottom	H: 6.5 in

WIRING

Wire Rating	Damp
Cord	0.5 FT, Clear/Silver, SPT-2
Socket	1, Type B - E12
Suggested Bulb Type	G16.5
Maximum Wattage	40.0
Voltage	110-120 V

CERTIFICATIONS & COMPLIANCY

Certifications	Mexico, United States, Canada
Compliance	RoHS, UL/ETL

SHIPPING

Product Weight	5.0 lbs
Gross Weight 1	11.9 lbs
Gross Weight 2	5.0 lbs
Shipping Box 1	W: 9.45 in x D: 12.5 in x H: 8.0 in
Shipping Box 2	W: 10 in x D: 10 in x H: 10 in

CONTRACT

Contract Suitability	Contract Suitable As Is
----------------------	-------------------------