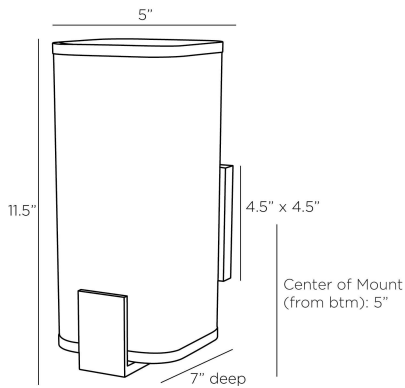


# ARTERIO RS

## BRAXTON SCNCE



DWC03  
White, Crinkled Paper

When a hint of zen is required, the minimal Braxton fits the bill. Supports of solid steel finished in English bronze clasp a delicate shade of white crinkled paper. Organic in feel, with elegant soft edges. Certified for damp locations and intended for interior use. Finish will vary.

### APPEARANCE

Materials	Crinkled Paper, Steel
Finishes	White, English Bronze
Finish Will Vary	Yes
Top Coat/Sealant	No

### DIMENSIONS

Overall	W: 5 in x D: 7 in x H: 11.5 in
Backplate	W: 4.5 in x D: 1 in x H: 4.5 in
Shade	W: 5 in x D: 5 in x H: 11 in
Center of Mount from Bottom	H: 5 in

### WIRING

Wire Rating	Damp
Cord	0.5 FT, Black/White, SVT
Socket	1, Type A - E26
Suggested Bulb Type	A19
Maximum Wattage	60.0
Voltage	110-120 V

### CERTIFICATIONS & COMPLIANCY

Certifications	Middle East, European Union, United Kingdom, Australia, Mexico, United States, Canada
Compliance	RoHS, UL/ETL, CB

### SHIPPING

Product Weight	3.0 lbs
Gross Weight 1	5.5 lbs
Shipping Box 1	W: 9.5 in x D: 8.0 in x H: 13.5 in

### CONTRACT

Contract Suitability	Contract Suitable As Is
----------------------	-------------------------