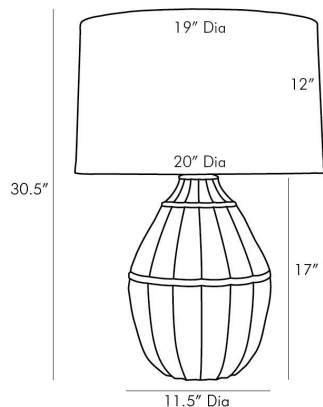


## TANGIER LAMP

Beth Webb



DW11004-578  
Egg Shell, Ceramic

The Tangier lamp with its gourd shape was inspired by an Ethiopian string jar. Beth was drawn to its pleasing wabi-sabi form both organic and architectural in feel and structure. Particular attention was paid to achieve its unique subtle finish inspired by Japanese ceramic traditions. The lamp's egg shell glaze exudes patina a subdued and sophisticated element in any room.

### APPEARANCE

Materials	Ceramic, Ceramic, Linen
Finishes	Egg Shell, Egg Shell, Off-White
Finish Will Vary	Yes
Top Coat/Sealant	No

### DIMENSIONS

Overall	Dia: 20.0 in x H: 30.5 in
Foot Print	Dia: 6.0 in
Body	Dia: 11.5 in x H: 17 in
Shade Top	Dia: 19.0 in
Shade Side	H: 12 in
Shade Bottom	Dia: 20.0 in

### WIRING

Wire Rating	Indoor Only
Cord	10 FT, Black, SPT-2
Socket	2, Type A - E26
Suggested Bulb Type	A19
Switch	At Socket, On/Off Pull Chain
Maximum Wattage	60.0
Voltage	110-120 V

### CERTIFICATIONS & COMPLIANCY

Certifications	Middle East, European Union, United Kingdom, Australia, Mexico, United States, Canada
Compliance	RoHS, UL/ETL, CB

### SHIPPING

Product Weight	10.0 lbs
Gross Weight 1	12.0 lbs
Gross Weight 2	3.0 lbs
Shipping Box 1	W: 26.0 in x D: 26.0 in x H: 15.5 in
Shipping Box 2	W: 21.0 in x D: 21.0 in x H: 14.0 in

### CONTRACT

Contract Suitability	Contract Suitable As Is
----------------------	-------------------------

### REPLACEMENT PARTS

DW11004FIN