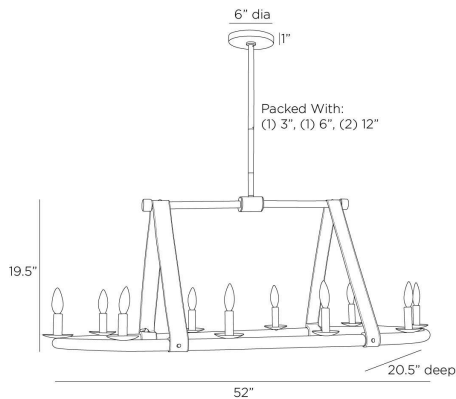


ARTERIO RS

ENGLEWOOD LINEAR CHANDELIER



DRI02
Antique Brass, Iron

Sturdy leather straps in a moss hue give this linear fixture an equestrian modern vibe. Suspended from an iron frame plated in antique brass, they hold an oval frame punctuated by ten candle-like bulbs. Finish will vary.

APPEARANCE

| | |
|------------------|---------------------|
| Materials | Iron, Leather |
| Finishes | Antique Brass, Moss |
| Finish Will Vary | Yes |
| Top Coat/Sealant | Yes |

DIMENSIONS

| | |
|-------------------------------------|------------------------------------|
| Overall | W: 52 in x D: 20.5 in x H: 23.5 in |
| Canopy | Dia: 6.0 in x H: 1 in |
| Chandelier | W: 52 in x D: 20.5 in x H: 19.5 in |
| Overall Hanging Height as Sold (in) | 53.5 in - 23.5 in |

WIRING

| | |
|---------------------|-------------------|
| Wire Rating | Damp |
| Cord | 10 FT, Black, SVT |
| Socket | 10, Type B - E12 |
| Suggested Bulb Type | B10 |
| Maximum Wattage | 40.0 |
| Voltage | 110-120 V |

CERTIFICATIONS & COMPLIANCY

| | |
|----------------|-------------------------------|
| Certifications | Mexico, United States, Canada |
| Compliance | RoHS, UL/ETL |

SHIPPING

| | |
|----------------|--------------------------------|
| Product Weight | 16.1 lbs |
| Gross Weight 1 | 23.0 lbs |
| Shipping Box 1 | W: 29 in x D: 56 in x H: 10 in |

CONTRACT

| | |
|----------------------|-------------------------|
| Contract Suitability | Contract Suitable As Is |
|----------------------|-------------------------|

SLOPE CEILING COMPATIBILITY

| | |
|---------------------------|-----------------------|
| Sloped Ceiling Compatible | No, is not compatible |
|---------------------------|-----------------------|

COMPONENTS

| | |
|------------------------|-------------------------|
| Pipe or Chain Included | (1) 3", (1) 6", (2) 12" |
|------------------------|-------------------------|

ADDITIONAL PARTS AVAILABLE

| | |
|----------|-------------------------|
| PIPE-616 | (1) 3", (1) 6", (1) 12" |
|----------|-------------------------|

REPLACEMENT PARTS

CANOPY-619