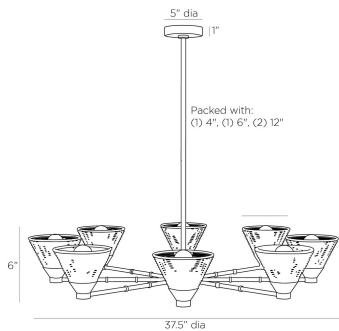


ARTERIOS

VENTURA CHANDELIER



DMC09
Natural, Rattan

Natural materials and sleek, midcentury styling unite in the Ventura chandelier. Conical basket-woven shades encircle an eight-arm, pipe framework in an antique brass iron finish. Natural rattan appears again as a textural accent, tightly wrapping each arm. Finish will vary. Certified for damp locations and intended for interior use.

APPEARANCE

Materials	Rattan, Iron
Finishes	Natural, Antique Brass
Finish Will Vary	Yes
Top Coat/Sealant	No

DIMENSIONS

Overall	Dia: 37.5 in x H: 7 in
Shade Top	Dia: 6.5 in
Canopy	Dia: 5.0 in x H: 1 in
Chandelier	Dia: 37.5 in x H: 6 in
Overall Hanging Height as Sold (in)	35 in - 7 in

WIRING

Wire Rating	Damp
Cord	7 FT, Clear/Silver, SVT
Socket	8, Type B - E12
Suggested Bulb Type	G16.5
Maximum Wattage	60.0
Voltage	110-120 V

CERTIFICATIONS & COMPLIANCY

Certifications	Middle East, European Union, United Kingdom, Australia, Mexico, United States, Canada
Compliance	RoHS, UL/ETL, CB

SHIPPING

Product Weight	13.0 lbs
Gross Weight 1	13.0 lbs
Shipping Box 1	W: 6.4 in x D: 33.85 in x H: 33.85 in

CONTRACT

Contract Suitability	Contract Suitable As Is
----------------------	-------------------------

SLOPE CEILING COMPATIBILITY

Sloped Ceiling Compatible	No, is not compatible
---------------------------	-----------------------

COMPONENTS

Pipe or Chain Included	(1) 4", (1) 6", (2) 12" Pipes
------------------------	-------------------------------

ADDITIONAL PARTS AVAILABLE

PIPE-180	(1) 4", (1) 6", (1) 12"
----------	-------------------------

REPLACEMENT PARTS

CANOPY-652
DMC09SHD