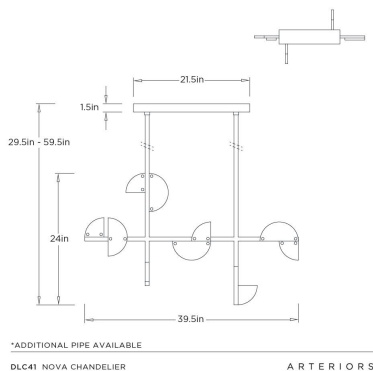


ARTERIOS

NOVA ALABASTER LINEAR



DLC41
English Bronze, Iron

From the waxing crescent to the new moon, lunar phases have informed our modern LED style. Half- and quarter-circles of white alabaster are secured to architectural rods of English bronze-plated iron, allowing each disc to emit a jewel-like glow where it meets the metal. Certified for damp locations and intended for interior use. Finish will vary.

APPEARANCE

Materials	Iron, Alabaster
Finishes	English Bronze, White
Finish Will Vary	Yes
Top Coat/Sealant	Yes

DIMENSIONS

Overall	W: 39.5 in x D: 19.5 in x H: 29.5 in
Canopy	W: 21.5 in x D: 5.5 in x H: 1.5 in
Chandelier	W: 39.5 in x D: 19.5 in x H: 20.5 in
Overall Hanging Height as Sold (in)	56 in - 29.5 in

WIRING

Wire Rating	Damp
Cord	10 FT, Black/White, SVT
Socket	14, Integrated LED
Maximum Wattage	45.0
Voltage	110-120 V
LED Color Temperature	2700K
LED Compatible Dimmer	0-10 V Dimmer
LED CRI	90+
LED Lifespan (Hours)	20,000
Spare Driver Included	No

CERTIFICATIONS & COMPLIANCY

Certifications	Mexico, United States, Canada
Compliance	RoHS, UL/ETL

SHIPPING

Product Weight	23.0 lbs
Gross Weight 1	28.2 lbs
Shipping Box 1	W: 23.2 in x D: 28.0 in x H: 43.0 in

CONTRACT

Contract Suitability	Contract Suitable As Is
----------------------	-------------------------

SLOPE CEILING COMPATIBILITY

Sloped Ceiling Compatible	No, is not compatible
---------------------------	-----------------------

ADDITIONAL PARTS AVAILABLE

PIPE-620	(1) 3", (1) 6", (1) 12"
----------	-------------------------

REPLACEMENT PARTS

DLC41SHDF2
DLC41SHDF1
DLC41SHDF3
DLC41SHDF4
DLC41SHDF5