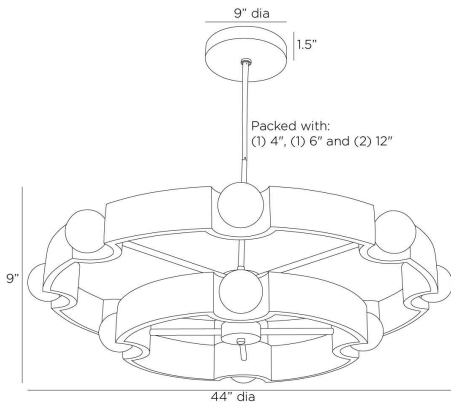


# ARTERIOS

## HANS CHANDELIER



DLC29  
Swirl, Glass

Our jewelry-inspired drum shade delivers a double dose of light. Reminiscent ribbons wrapping around pearls, globes of matte swirl glass are mounted on two English bronze-plated iron tiers suspended from a slim pipe. Twelve integrated LED bulbs. Certified for damp locations and intended for interior use.

### APPEARANCE

Materials	Glass, Iron
Finishes	Swirl, English Bronze
Finish Will Vary	No
Top Coat/Sealant	Yes

### DIMENSIONS

Overall	Dia: 44.0 in x H: 14 in
Globe	Dia: 4.0 in
Canopy	Dia: 9.0 in x H: 1.5 in
Chandelier	H: 9 in
Overall Hanging Height as Sold (in)	44 in - 14 in

### WIRING

Wire Rating	Damp
Cord	10 FT, Black/White, SVT
Socket	12, Integrated LED
Maximum Wattage	4.0
Voltage	110-120 V
LED Color Temperature	2700K
LED Compatible Dimmer	0-10 V Dimmer
LED CRI	90+
LED Lifespan (Hours)	20,000
Spare Driver Included	No

### CERTIFICATIONS & COMPLIANCY

Certifications	Mexico, United States, Canada
Compliance	RoHS, UL/ETL

### SHIPPING

Shipping Requirements	Truck Ship
Product Weight	45.6 lbs
Gross Weight 1	56.0 lbs
Shipping Box 1	W: 44 in x D: 44 in x H: 14 in

### CONTRACT

Contract Suitability	Contract Suitable As Is
----------------------	-------------------------

### SLOPE CEILING COMPATIBILITY

Sloped Ceiling Compatible	No, is not compatible
---------------------------	-----------------------

### COMPONENTS

Pipe or Chain Included	(1) 4", (1) 6", (2) 12" Pipes
------------------------	-------------------------------

### ADDITIONAL PARTS AVAILABLE

PIPE-604	(1) 4", (1) 6", (1) 12"
----------	-------------------------

### REPLACEMENT PARTS

DLC29GLS
DS96W24