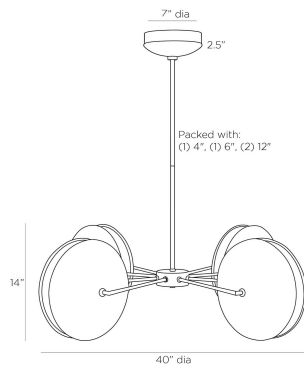


# ARTERIO RS

## WHITNEY CHANDELIER



DLC05  
Smoke Luster, Glass

Imparting a moody sophistication to any space, the Whitney chandelier is composed of an antique brass iron body, with futuristic, smoky slump luster glass disc shapes that visually encase the frosted glass bulb inside. The LED chandelier emits a diffused, glow from each glass shade. Finish will vary. Certified for damp locations and intended for interior use.

### APPEARANCE

Materials	Glass, Glass, Iron
Finishes	Smoke Luster, Frosted, Antique Brass
Finish Will Vary	Yes
Top Coat/Sealant	No

### DIMENSIONS

Overall	Dia: 42.0 in x H: 16 in
Canopy	Dia: 8.0 in x H: 2 in
Chandelier	Dia: 42.0 in x H: 12 in
Overall Hanging Height as Sold (in)	44 in - 16 in

### WIRING

Wire Rating	Damp
Cord	10 FT, Black/White, SVT
Socket	4, Integrated LED
Maximum Wattage	31.0
Voltage	110-120 V
LED Color Temperature	2700K
LED Compatible Dimmer	0-10 V Dimmer
LED CRI	90+
LED Lifespan (Hours)	20,000
Spare Driver Included	No

### CERTIFICATIONS & COMPLIANCY

Certifications	Mexico, United States, Canada
Compliance	RoHS, UL/ETL

### SHIPPING

Shipping Requirements	Truck Ship
Product Weight	43.0 lbs
Gross Weight 1	53.24 lbs
Shipping Box 1	W: 15.9 in x D: 38.6 in x H: 38.6 in

### ADDITIONAL INFO

Features	Assembly Required, This fixture gives off low, mood lighting.
----------	---

### CONTRACT

Contract Suitability	Contract Suitable As Is
----------------------	-------------------------

### SLOPE CEILING COMPATIBILITY

Sloped Ceiling Compatible	No, is not compatible
---------------------------	-----------------------

### COMPONENTS

Pipe or Chain Included	(1) 4", (1) 6", (2) 12" Pipes
------------------------	-------------------------------

### ADDITIONAL PARTS AVAILABLE

PIPE-513	(1) 4", (1) 6", (1) 12"
----------	-------------------------

### REPLACEMENT PARTS

PIPE-513	DS60W24
----------	---------