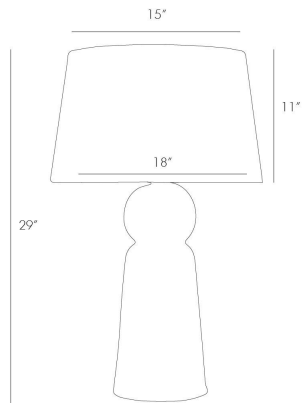


TASSEL LAMP

Laura Kirar



DK49938-757
Ivory, Fiber Blend

Fringe is a fashion favorite, and Laura Kirar has taken it into the home. This ivory "Tassel" lamp has an ivory microfiber shade and is lined in ivory cotton. It also has a top diffuser. 3-way switch.

APPEARANCE

Materials	Fiber Blend, Microfiber, Cotton
Finishes	Ivory, Ivory, Cream
Finish Will Vary	No
Top Coat/Sealant	Yes

DIMENSIONS

Overall	Dia: 18.0 in x H: 29 in
Body	Dia: 7.0 in x H: 18 in
Finial	Dia: 1 in x H: 1 in
Shade Top	Dia: 15.0 in
Shade Side	H: 11 in
Shade Bottom	Dia: 18.0 in
Harp Size	H: 8.5 in

WIRING

Wire Rating	Indoor Only
Cord	8 FT, Clear/Silver, SPT-2
Socket	1, Type A- E26, 3-Way
Suggested Bulb Type	A19
Switch	At Socket, 3-Way Rotary
Maximum Wattage	100.0
Voltage	110-120 V

CERTIFICATIONS & COMPLIANCY

Certifications	Middle East, European Union, United Kingdom, Australia, Mexico, United States, Canada
Compliance	RoHS, UL/ETL, CB

SHIPPING

Product Weight	8.6 lbs
Gross Weight 1	10.35 lbs
Gross Weight 2	4.0 lbs
Shipping Box 1	W: 20.0 in x D: 20.0 in x H: 38.0 in
Shipping Box 2	W: 20.0 in x D: 20.0 in x H: 13.0 in

CONTRACT

Contract Suitability	Contract Suitable As Is
Tilt Test Degrees	10 Degrees