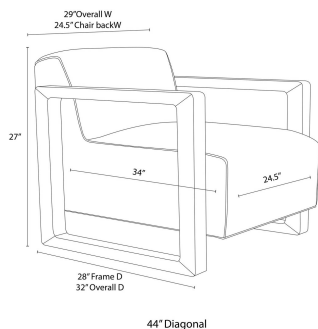


ARTERIOS

DURAN CHAIR FOSSIL TWEED BLACK

Jay Jeffers



DJ8070
Fossil, Tweed

The Duran chair is simple, elegant and strong. The deep seat is complemented by a curved shelter frame featuring a beautifully cerused black wood. Covered in Fossil Tweed.

APPEARANCE

Materials	Tweed, Wood
Finishes	Fossil, Graphite, Black Cerused
Finish Will Vary	No
Top Coat/Sealant	No

DIMENSIONS

Overall	W: 29 in x D: 32 in x H: 27 in
Foot Print	W: 29 in x D: 32 in
Arm	W: 2.5 in x H: 23.5 in
Seat	W: 24 in x D: 23.5 in x H: 16 in

SHIPPING

Shipping Requirements	Special Handling Required
Product Weight	74.0 lbs
Gross Weight 1	79.0 lbs
Shipping Box 1	W: 37 in x D: 38 in x H: 39 in

ADDITIONAL INFO

Fabric Certification	NFPA-260, TB117-2013
Fabric Composition	100% Polyester
Fabric Cleaning Code	W - spot clean only with water-based shampoo or foam upholstery cleaner
Fabric Wear Abrasion	40,000
Reupholstery Requirements	6 Yards

CONTRACT

Contract Suitability	Contract Suitable As Is
Contract Textile Suitability	Low Traffic/Private Spaces

SWATCHES

X14SW 4x4 Swatch: Fossil Tweed