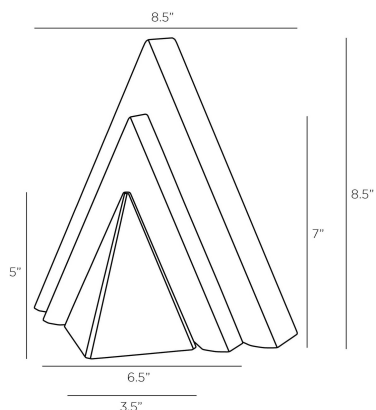


ARTERIOURS

XIOMARA SCULPTURES, SET OF 3



ASC13
Ivory, Ricestone

A trio of triangular shapes in ivory and black ricestone composite, as well as smoke finished crystal, are made to mix and mingle in a myriad of ways. Designed to be paired or staged separately. Finish will vary.

APPEARANCE

Materials	Ricestone, Ricestone, Crystal
Finishes	Ivory, Black, Smoke
Finish Will Vary	Yes
Top Coat/Sealant	Yes

DIMENSIONS

Overall Large	W: 8.5 in x D: 2 in x H: 8.5 in
Overall Medium	W: 6.5 in x D: 1.5 in x H: 7 in
Overall Small	W: 3.5 in x D: 3.5 in x H: 5 in
Foot Print Large	W: 2 in x D: 2 in
Foot Print Medium	W: 1.5 in x D: 1.5 in
Foot Print Small	W: 3.5 in x D: 3.5 in

SHIPPING

Product Weight	6.2 lbs
Gross Weight 1	10.0 lbs
Shipping Box 1	W: 7.3 in x D: 12.5 in x H: 14.5 in

CONTRACT

Contract Suitability	Contract Suitable As Is
----------------------	-------------------------