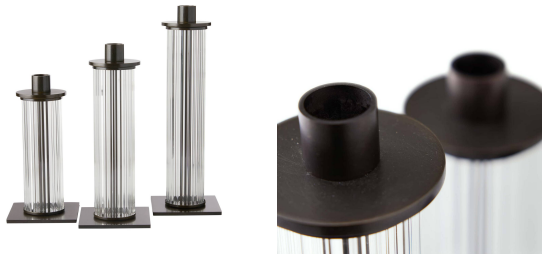
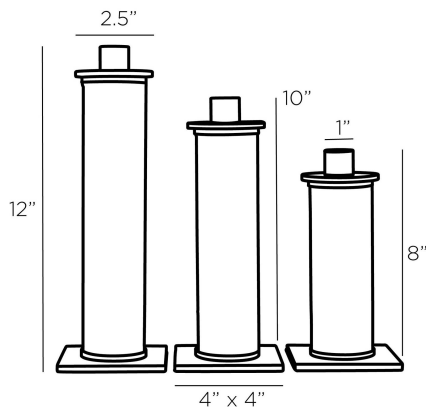


ARTERIOS

WIMBLE CANDLEHOLDERS, SET OF 3



ACC01
Clear, Glass

Our Wimble candleholders offer a stylistic nod to the fluting detail often seen in architectural columns. The reflective, clear glass taper holders are accented with bronze-finished steel bases and candle cups. On any surface, the trio creates an elegant and timeless display.

APPEARANCE

Materials	Glass, Steel
Finishes	Clear, Bronze
Finish Will Vary	No
Top Coat/Sealant	No

DIMENSIONS

Overall Large	Dia: 2.5 in x H: 12 in
Overall Medium	Dia: 2.5 in x H: 10 in
Overall Small	Dia: 2.5 in x H: 8 in
Opening	Dia: 1.0 in
Foot Print Large	W: 4 in x D: 4 in
Foot Print Medium	W: 4 in x D: 4 in
Foot Print Small	W: 4 in x D: 4 in

SHIPPING

Product Weight	6.0 lbs
Gross Weight 1	9.04 lbs
Shipping Box 1	W: 14.5 in x D: 6.75 in x H: 14.5 in

ADDITIONAL INFO

Features	Sustainable
----------	-------------

CONTRACT

Contract Suitability	Contract Suitable As Is
----------------------	-------------------------