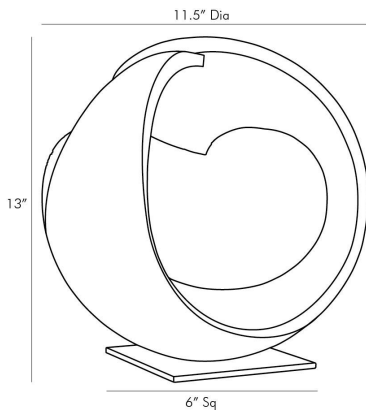


ARTERIO RS

DAWSON SCULPTURE



9237
Charcoal, Ricestone

Sweeping curves reflect the volatile and peaceful movements of oceanic currents in this orb-like structure. Its abstract open-form profile is constructed of ricestone in a charcoal finish that is reminiscent of lava stone. A thin antique brass embellishments that trace part of its silhouette. Showcase on a console or étagère and let this sculpture be a representation of what's to come.

APPEARANCE

Materials	Ricestone, Steel
Finishes	Charcoal, Antique Brass
Finish Will Vary	Yes
Top Coat/Sealant	No

DIMENSIONS

Overall	Dia: 11.5 in x H: 13 in
Foot Print	W: 6 in x D: 6 in

SHIPPING

Product Weight	14.5 lbs
Gross Weight 1	18.2 lbs
Shipping Box 1	W: 16.9 in x D: 16.9 in x H: 14.0 in

CONTRACT

Contract Suitability	Contract Suitable As Is
----------------------	-------------------------