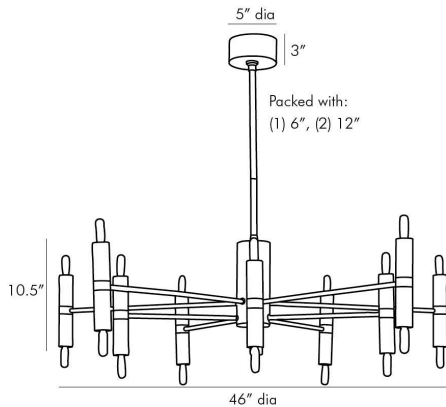


# ARTERIO RS

## BOZEMAN CHANDELIER



89633  
Antique Brass, Steel

This steel chandelier showcases a streamlined silhouette that is modern and minimalistic. Ten double-socket cylindrical candle sleeves stand at attention of the piped arms that extend from its columnar center at varying heights. With 20 brilliant lights and a sleek sheen that work together to illuminate the Bozeman is foundational piece for contemporary settings. Certified for damp locations and intended for interior use.

### APPEARANCE

Materials	Steel, Steel
Finishes	Antique Brass, Antique Brass
Finish Will Vary	No
Top Coat/Sealant	Yes

### DIMENSIONS

Overall	Dia: 46.0 in x H: 19.5 in
Canopy	Dia: 5.0 in x H: 3 in
Chandelier	Dia: 46.0 in x H: 10.5 in
Overall Hanging Height as Sold (in)	43.5 in - 19.5 in

### WIRING

Wire Rating	Damp
Cord	10 FT, Black/White, SVT
Socket	20, Type B--E12 Other
Suggested Bulb Type	T6
Maximum Wattage	25.0
Voltage	110-120 V

### CERTIFICATIONS & COMPLIANCY

Certifications	Middle East, European Union, United Kingdom, Mexico, United States, Canada
Compliance	RoHS, UL/ETL, CB

### SHIPPING

Shipping Requirements	Truck Ship
Product Weight	21.0 lbs
Gross Weight 1	43.0 lbs
Shipping Box 1	W: 46.0 in x D: 47.0 in x H: 18.0 in

### CONTRACT

Contract Suitability	Contract Suitable As Is
----------------------	-------------------------

### SLOPE CEILING COMPATIBILITY

Sloped Ceiling Compatible	Yes, with purchase of pivot
---------------------------	-----------------------------

### COMPONENTS

Pipe or Chain Included	(1) 6", (2) 12"
------------------------	-----------------

### ADDITIONAL PARTS AVAILABLE

PIPE-101	(1) 6", (1) 12"
PIVOT-203	

### REPLACEMENT PARTS

CANOPY-423	
------------	--