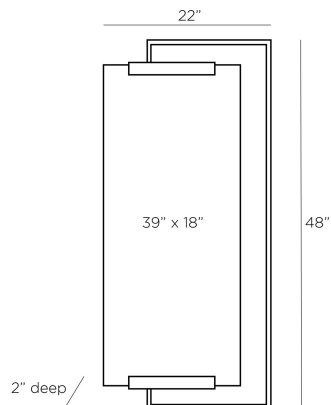


ARTERIO RS

PRINCETON MIRROR



6985
Natural Iron, Iron

The architectural Princeton mirror is at once minimalist and statement-making. The industrial-style mirror is gripped into place by an offset, clamp-style frame made of forged natural iron. The mirror can be hung vertically or horizontally, and is fitted with a security cleat for hanging.

APPEARANCE

Materials	Iron, Iron, Mirror
Finishes	Natural Iron, Natural Iron, Plain
Finish Will Vary	No
Top Coat/Sealant	No

DIMENSIONS

Overall	W: 22 in x D: 2 in x H: 48 in
Actual Mirror	W: 18 in x H: 39 in

SHIPPING

Shipping Requirements	Truck Ship
Product Weight	32.0 lbs
Gross Weight 1	67.2 lbs
Shipping Box 1	W: 31.0 in x D: 9.0 in x H: 55.0 in

ADDITIONAL INFO

Features	T-Screw Hardware Included
Hanger Position	All Four Directions

CONTRACT

Contract Suitability	Contract Suitable As Is
----------------------	-------------------------