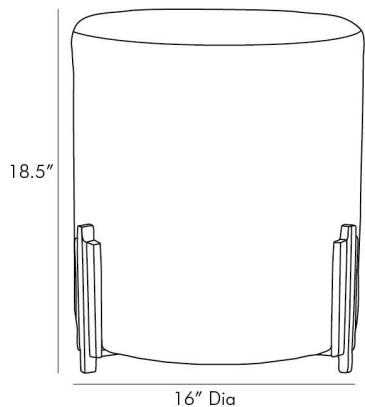


# ARTERIOR S

## WARBY OTTOMAN STERLING VELVET



6931  
Sterling Velvet, Velvet

Brimming with class, this drum-style ottoman, upholstered in sterling velvet, sits atop a polished brass base with details that recall Art Deco style. The contrast of texture is both elegant and inviting. This sophisticated seating solution is a great way to add a dash of drama and a touch of color to a space. Finish will vary.

### APPEARANCE

Materials	Velvet, Aluminum
Finishes	Sterling Velvet, Polished Brass
Finish Will Vary	Yes
Top Coat/Sealant	No

### DIMENSIONS

Overall	Dia: 16.0 in x H: 18.5 in
Foot Print	Dia: 16.0 in

### SHIPPING

Product Weight	12.0 lbs
Gross Weight 1	18.0 lbs
Shipping Box 1	W: 19.0 in x D: 19.0 in x H: 21.0 in

### ADDITIONAL INFO

Fabric Certification	Barrier Cloth used for TB117-2013 and NFPA-260
Fabric Composition	54% Viscose, 46% Cotton
Fabric Cleaning Code	S - dry clean only
Fabric Wear Abrasion	100,000
Reupholstery Requirements	1 Yard

### CONTRACT

Contract Suitability	Contract Suitable As Is
Contract Textile Suitability	High Traffic/Public Spaces

### SWATCHES

V24SW 4x4 Swatch: Sterling Velvet