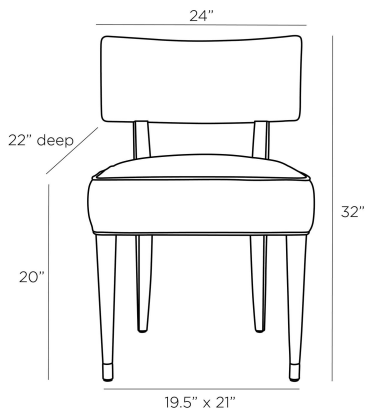


ARTERIOS

LAURENT DINING CHAIR



6901
Dove, Leather

The Laurent chair is a fine example of classic sophistication. The chair is supported by tapered, dark walnut-finished beech wood legs capped in antique brass sabots, with dove leather composing the seat cushion and C-shaped back. Its versatile design allows this piece to function in various stylistic settings. Finishes will vary.

APPEARANCE

Materials	Leather, Leather, Wood, Brass
Finishes	Dove, Dove, Dark Walnut, Antique Brass
Finish Will Vary	Yes
Top Coat/Sealant	Yes

DIMENSIONS

Overall	W: 24 in x D: 22 in x H: 32 in
Foot Print	W: 19.5 in x D: 21 in
Leg	H: 14 in
Seat Back	H: 13 in
Seat	W: 20 in x D: 20 in x H: 20 in

SHIPPING

Shipping Requirements	Truck Ship
Product Weight	20.0 lbs
Gross Weight 1	25.13 lbs
Shipping Box 1	W: 37.41 in x D: 25.2 in x H: 25.2 in

ADDITIONAL INFO

Fabric Certification	NFPA-260, TB117-2013
Fabric Composition	100% Leather
Fabric Cleaning Code	Leather Cleaner
Base/Foot Type	Glide

CONTRACT

Contract Suitability	Contract Suitable With Conditions
Contract Conditions	For an additional fee, a clear, protective coating can be added
Contract Textile Suitability	High Traffic/Public Spaces

SWATCHES

T13SW 4x4 Swatch: Dove Leather