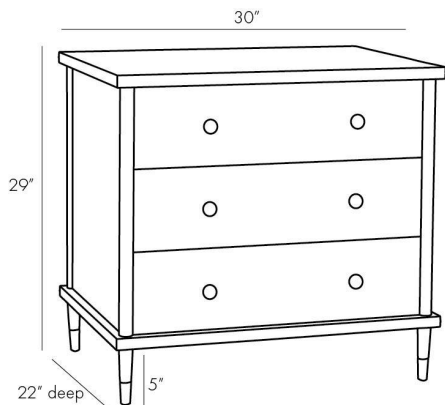


# ARTERIOS

## JOBE CHEST



5642  
Smoke, Oak Veneer

This handsome chest features a deep three-drawer construction with ample storage space. A rift-sawn oak grain foundation presents bronze brass hardware that glisten against the smoke stain and make this piece functional. Pair with the matching desk to complete the look.

### APPEARANCE

Materials	Oak Veneer, Oak Veneer, Brass
Finishes	Smoke, Smoke, Bronze
Finish Will Vary	No
Top Coat/Sealant	Yes

### DIMENSIONS

Overall	W: 30 in x D: 22 in x H: 29 in
Foot Print	W: 29 in x D: 21 in
Leg	H: 5 in
Drawer Interior	W: 25 in x D: 15 in x H: 4.5 in
Table Top	W: 30 in x D: 22 in

### SHIPPING

Shipping Requirements	Special Handling Required
Product Weight	77.16 lbs
Gross Weight 1	88.18 lbs
Shipping Box 1	W: 30.0 in x D: 22.0 in x H: 28.5 in

### CONTRACT

Contract Suitability	Contract Suitable As Is
----------------------	-------------------------

### REPLACEMENT PARTS

5642HNDL

### SWATCHES

SM2X2 2x2 Swatch: Smoke Oak