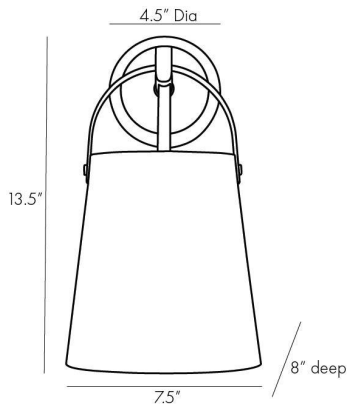


# ARTERIOS

## IAN SCONCE



49717  
Antique Brass, Steel

Simple design meets equestrian elegance with the Ian. An antique brass circular steel backplate acts as a hook to present a classic white linen shade. The shade is suspended by an English bronze steel strap that was inspired by stirrups, lending a cavalier appeal to this piece. Showcase solo next to a bedside or hang in multiples for a more masculine approach. Certified for damp locations and intended for interior use.

### APPEARANCE

Materials	Steel, Steel, Steel, Linen, Steel
Finishes	Antique Brass, Antique Brass, English Bronze, White, Antique Brass
Finish Will Vary	No
Top Coat/Sealant	No

### DIMENSIONS

Overall	W: 7.5 in x D: 8 in x H: 13.5 in
Backplate	D: 1 in x Dia: 4.5 in
Shade Side	H: 8 in

### WIRING

Wire Rating	Damp
Cord	1 FT, Black/White, SVT
Socket	1, Type A - E26
Suggested Bulb Type	A19
Maximum Wattage	100.0
Voltage	110-120 V

### CERTIFICATIONS & COMPLIANCY

Certifications	Middle East, European Union, United Kingdom, Australia, Mexico, United States, Canada
Compliance	RoHS, UL/ETL, CB

### SHIPPING

Product Weight	1.98 lbs
Gross Weight 1	3.53 lbs
Shipping Box 1	W: 13.0 in x D: 9.25 in x H: 11.0 in

### CONTRACT

Contract Suitability	Contract Suitable As Is
----------------------	-------------------------

### REPLACEMENT PARTS

49717SHD