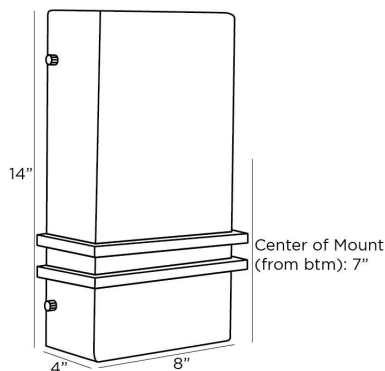


# ARTERIO RS

## RONAN SCNCE



49531  
White, Onyx

The Ronan celebrates the luxury and inherent beauty of white onyx. The box-constructed, paneled sconce features antique brass iron bar detailing. Finish will vary. Certified for damp locations and intended for interior use.

### APPEARANCE

Materials	Onyx, Onyx, Iron
Finishes	White, White, Antique Brass
Finish Will Vary	Yes
Top Coat/Sealant	Yes

### DIMENSIONS

Overall	W: 8 in x D: 4 in x H: 14 in
Backplate	W: 5.5 in x D: 1 in x H: 12.5 in
Center of Mount from Bottom	H: 7 in
Mount	W: 5 in x D: 1 in x H: 12 in

### WIRING

Wire Rating	Damp
Cord	0.5 FT, Black/White, SVT
Socket	2, Type B - E12
Suggested Bulb Type	LED ONLY
Maximum Wattage	8.0
Voltage	110-120 V

### CERTIFICATIONS & COMPLIANCY

Certifications	Mexico, United States, Canada
Compliance	RoHS, UL/ETL

### SHIPPING

Product Weight	11.0 lbs
Gross Weight 1	15.0 lbs
Shipping Box 1	W: 10.5 in x D: 13.8 in x H: 29.0 in

### ADDITIONAL INFO

Features	ADA
----------	-----

### CONTRACT

Contract Suitability	Contract Suitable As Is
----------------------	-------------------------