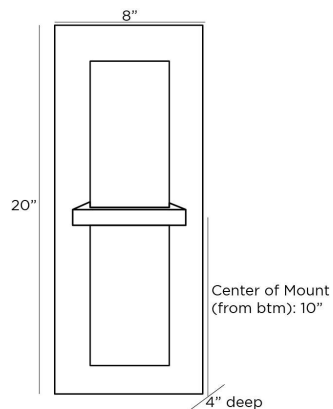


ARTERIO RS

REDMOND SCONCE



49525
Antique Brass, Iron

With a design fashioned to resemble a jewelry setting, our faceted, white alabaster Redmond sconce creates an organic glow through the natural stone. The alabaster shade is mounted to a plate of antique brass iron and accented with a matching decorative metal band. Finish will vary. Certified for damp locations and intended for interior use.

APPEARANCE

Materials	Iron, Iron, Alabaster
Finishes	Antique Brass, Antique Brass, White
Finish Will Vary	Yes
Top Coat/Sealant	Yes

DIMENSIONS

Overall	W: 8 in x D: 4 in x H: 20 in
Backplate	W: 8 in x D: 0.25 in x H: 20 in
Center of Mount from Bottom	H: 10 in
Mount	W: 7.5 in x H: 19.5 in

WIRING

Wire Rating	Damp
Cord	0.5 FT, Black/White, SVT
Socket	2, Type B - E12
Suggested Bulb Type	T6
Maximum Wattage	8.0
Voltage	110-120 V

CERTIFICATIONS & COMPLIANCY

Certifications	Mexico, United States, Canada
Compliance	RoHS, UL/ETL

SHIPPING

Product Weight	10.5 lbs
Gross Weight 1	14.5 lbs
Shipping Box 1	W: 7.7 in x D: 10.25 in x H: 22.0 in

CONTRACT

Contract Suitability	Contract Suitable As Is
----------------------	-------------------------