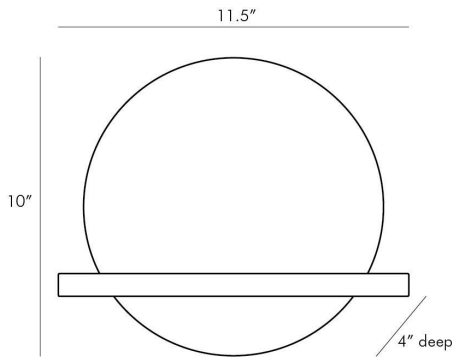


# ARTERIO RS

## SAVION SCONCE



49240  
White, Alabaster

Gorgeous, polished white onyx creates a warm filtered light and adds natural sophistication to any space. The bulb beneath accentuates the stone's organic veins and features brilliantly as it rests perfectly in the frame. The fixture mounts directly from a steel frame, finished in antique brass. Certified for damp locations and intended for interior use. Onyx will vary naturally in tone and texture.

### APPEARANCE

|                  |                                     |
|------------------|-------------------------------------|
| Materials        | Alabaster, Steel, Steel             |
| Finishes         | White, Antique Brass, Antique Brass |
| Finish Will Vary | Yes                                 |
| Top Coat/Sealant | Yes                                 |

### DIMENSIONS

|                                 |                                 |
|---------------------------------|---------------------------------|
| Overall                         | W: 11.5 in x D: 4 in x H: 10 in |
| Backplate                       | W: 5 in x D: 0.5 in x H: 5 in   |
| Wall Sconce Hanging Orientation | Vertical Only                   |
| Center of Mount from Bottom     | H: 4.5 in                       |

### WIRING

|                     |                      |
|---------------------|----------------------|
| Wire Rating         | Damp                 |
| Cord                | 1 FT, Black, SVT     |
| Socket              | 1, Type B--E12 Other |
| Suggested Bulb Type | T6                   |
| Maximum Wattage     | 60.0                 |
| Voltage             | 110-120 V            |

### CERTIFICATIONS & COMPLIANCY

|                |  |
|----------------|--|
| Certifications | Middle East, European Union, United Kingdom, Mexico, United States, Canada |
| Compliance     | RoHS, UL/ETL, CB   |

### SHIPPING

|                |                                      |
|----------------|--------------------------------------|
| Product Weight | 7.0 lbs                              |
| Gross Weight 1 | 7.9 lbs                              |
| Shipping Box 1 | W: 11.0 in x D: 14.0 in x H: 12.0 in |

### ADDITIONAL INFO

|          |     |
|----------|-----|
| Features | ADA |
|----------|-----|

### CONTRACT

|                      |                         |
|----------------------|-------------------------|
| Contract Suitability | Contract Suitable As Is |
|----------------------|-------------------------|