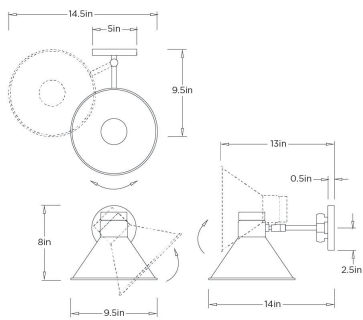


# ARTERIOS

## LANE SCNCE



49201 LANE SCNCE

ARTERIOS



49201

Cadet Blue, Steel

The Lane showcases a schoolhouse-inspired shade that delivers a retro yet modern look. An antique brass steel frame contrasts the cadet blue steel shade. The shade pivots allowing the choice of light direction. Certified for damp locations and intended for interior use.

### APPEARANCE

Materials	Steel, Steel, Steel, Steel
Finishes	Cadet Blue, Cadet Blue, Antique Brass, Antique Brass
Finish Will Vary	No
Top Coat/Sealant	Yes

### DIMENSIONS

Overall Adjustable	W: 9.5-14.5 in x D: 10-15 in x H: 8-9.5 in
Arm	D: 5 in
Backplate	D: 1 in x Dia: 5.0 in
Shade	Dia: 9.5 in x H: 8 in
Center of Mount from Bottom	H: 5.5 in
Mount	Dia: 4.5 in

### WIRING

Wire Rating	Damp
Cord	1 FT, Black, SVT
Socket	1, Type A - E26
Suggested Bulb Type	A19
Maximum Wattage	60.0
Voltage	110-120 V

### CERTIFICATIONS & COMPLIANCY

Certifications	Mexico, United States, Canada
Compliance	UL/ETL

### SHIPPING

Product Weight	3.0 lbs
Gross Weight 1	4.2 lbs
Shipping Box 1	W: 27.46 in x D: 14.96 in x H: 33.46 in

### CONTRACT

Contract Suitability	Contract Suitable As Is
----------------------	-------------------------