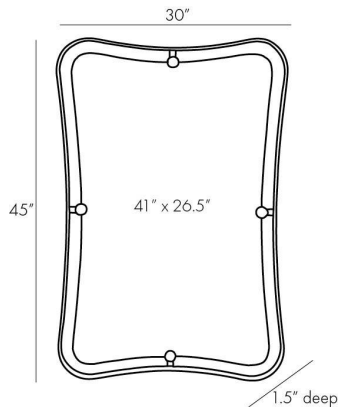


ARTERIO RS

JANEY HOURGLASS MIRROR



4913
Natural Iron, Iron

Featuring a natural iron frame, polished brass accents and a plain mirror, the Janey is a contemporary lesson in mixed materials. The open frame design gives this mirror dimension and depth, while the dual finishes make its simple form outstanding. A unique hourglass shape gives it a daring dynamic that will make a statement in any space. Security cleat hanging hardware allows for vertical or horizontal display.

APPEARANCE

Materials	Iron, Iron, Brass, Mirror
Finishes	Natural Iron, Natural Iron, Polished Brass, Plain
Finish Will Vary	No
Top Coat/Sealant	Yes

DIMENSIONS

Overall	W: 30 in x D: 1.5 in x H: 45 in
Actual Mirror	W: 26.5 in x H: 41 in

SHIPPING

Shipping Requirements	Truck Ship
Product Weight	51.6 lbs
Gross Weight 1	81.57 lbs
Shipping Box 1	W: 7.0 in x D: 51.0 in x H: 36.0 in

ADDITIONAL INFO

Features	T-Screw Hardware Included
Hanger Position	Vertical & Horizontal

CONTRACT

Contract Suitability	Contract Suitable As Is
----------------------	-------------------------