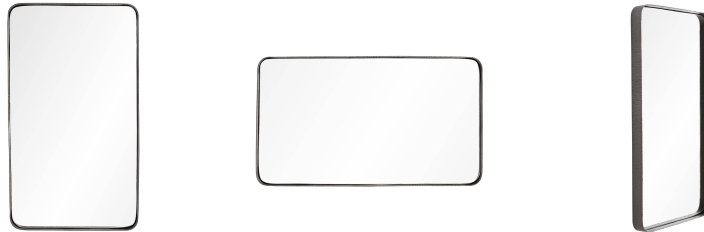
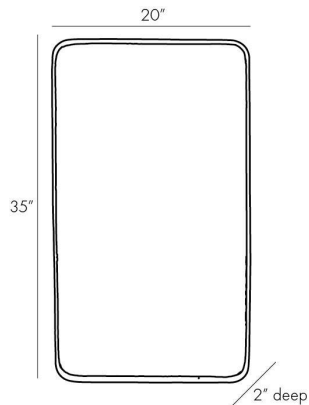


ARTERIOS

HUBERT MIRROR



4912
Natural Iron, Iron

Up the ante on industrial décor with a design that is both elegant and edgy—our Hubert mirror. A natural iron form is met with chattered detailing that traces its inner frame, creating a tangible texture. A thick lip surrounds the plain glass mirror, adding depth, dimension and a touch of grandeur. It's the perfect scale for a narrow vanity or powder room. Security cleat hanging hardware allows for vertical or horizontal display.

APPEARANCE

| | |
|------------------|-----------------------------------|
| Materials | Iron, Iron, Mirror |
| Finishes | Natural Iron, Natural Iron, Plain |
| Finish Will Vary | No |
| Top Coat/Sealant | Yes |

DIMENSIONS

| | |
|---------|-------------------------------|
| Overall | W: 20 in x D: 2 in x H: 35 in |
|---------|-------------------------------|

SHIPPING

| | |
|-----------------------|-------------------------------------|
| Shipping Requirements | Truck Ship |
| Product Weight | 28.22 lbs |
| Gross Weight 1 | 51.81 lbs |
| Shipping Box 1 | W: 6.0 in x D: 41.0 in x H: 26.0 in |

ADDITIONAL INFO

| | |
|-----------------|---------------------------|
| Features | T-Screw Hardware Included |
| Hanger Position | Vertical & Horizontal |

CONTRACT

| | |
|----------------------|-------------------------|
| Contract Suitability | Contract Suitable As Is |
|----------------------|-------------------------|