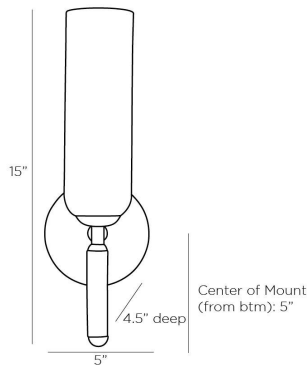


ARTERIOS

NORWALK SCNCE



49111
Opal, Glass

Exceptionally elegant, this sconce showcases a simple silhouette in a subtly unique design. An antique brass iron foundation presents an opal glass shade that houses a single light. A white alabaster post extends from the bottom of the shade for an unexpected element of glamour and style. Certified for damp locations and intended for interior use.

APPEARANCE

Materials	Glass, Glass, Alabaster, Iron, Iron
Finishes	Opal, Opal, White, Antique Brass, Antique Brass
Finish Will Vary	No
Top Coat/Sealant	Yes

DIMENSIONS

Overall	W: 5 in x D: 4.5 in x H: 15 in
Backplate	D: 1 in x Dia: 5.0 in
Shade	Dia: 3.0 in x H: 9 in
Wall Sconce Hanging Orientation	Horizontal and Vertical
Center of Mount from Bottom	H: 5 in
Mount	Dia: 4.5 in

WIRING

Wire Rating	Damp
Cord	1 FT, Black/White, SVT
Socket	1, Type B - E12
Suggested Bulb Type	T6
Maximum Wattage	60.0
Voltage	110-120 V

CERTIFICATIONS & COMPLIANCY

Certifications	Middle East, European Union, United Kingdom, Australia, Mexico, United States, Canada
Compliance	RoHS, UL/ETL, CB

SHIPPING

Product Weight	2.2 lbs
Gross Weight 1	3.3 lbs
Shipping Box 1	W: 6.7 in x D: 17.32 in x H: 8.1 in

CONTRACT

Contract Suitability	Contract Suitable As Is
----------------------	-------------------------

REPLACEMENT PARTS

49111GLS