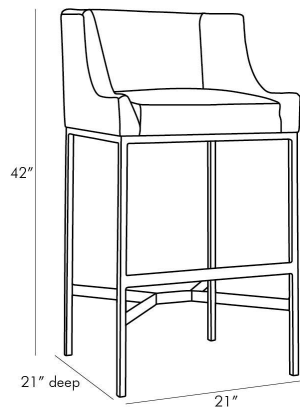


# ARTERIOS

## DALIA BAR STOOL



4837  
Morel, Leather

Take a seat in sophisticated style with the Dalia. Covered in a soft-to-the-touch morel leather this stool features a squared back profile with slightly curved arms that gracefully flow into an antique brass linear base. Its versatile aesthetic complements both traditional and modern decor making it an optimal seating option for various settings. Finish and leather may vary.

### APPEARANCE

Materials	Leather, Leather, Iron
Finishes	Morel, Morel, Antique Brass
Finish Will Vary	Yes
Top Coat/Sealant	No

### DIMENSIONS

Overall	W: 21 in x D: 21 in x H: 42 in
Foot Print	W: 21 in x D: 21 in
Seat	W: 16 in x D: 18 in x H: 32 in

### SHIPPING

Shipping Requirements	Truck Ship
Product Weight	35.0 lbs
Gross Weight 1	49.0 lbs
Shipping Box 1	W: 41.0 in x D: 27.0 in x H: 25.0 in

### ADDITIONAL INFO

Fabric Certification	NFPA-260, TB117-2013
Fabric Composition	100% Leather
Fabric Cleaning Code	Leather Cleaner
Reupholstery Requirements	36 Square Feet   2 Yards

### CONTRACT

Contract Suitability	Contract Suitable As Is
Contract Textile Suitability	High Traffic/Public Spaces

### REPLACEMENT PARTS

#### LEVELER

### SWATCHES

T15SW 4x4 Swatch: Morel Leather