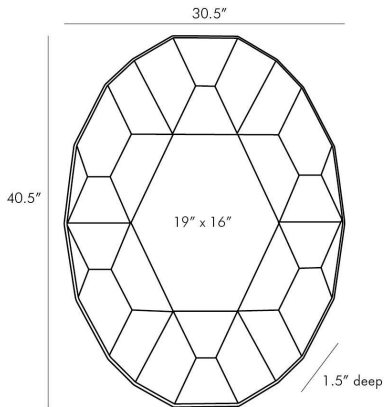


# ARTERIO RS

## CalLEN MIRROR



4727

Natural Iron, Iron

The Callen mirror delivers dramatic depth and dimension. A unique geometric pattern surrounds the hexagon-shaped glass center creating a reflective tortoiseshell appearance. Framed in natural iron the heavily antiqued outer mirrored panels provide warm and cool tones that accentuate a more lightly antiqued and functional central mirror. Security cleat hanging hardware allows for horizontal and vertical display. Finish will vary.

### APPEARANCE

Materials	Iron, Mirror, Mirror, Mirror
Finishes	Natural Iron, Antiqued Mirror, Speckled Antique Mirror, Antiqued Mirror
Finish Will Vary	Yes
Top Coat/Sealant	No

### DIMENSIONS

Overall	W: 30.5 in x D: 1.5 in x H: 40.5 in
Actual Mirror	W: 16 in x H: 19 in

### SHIPPING

Shipping Requirements	Truck Ship
Product Weight	30.0 lbs
Gross Weight 1	49.6 lbs
Shipping Box 1	W: 37.0 in x D: 41.0 in x H: 10.0 in

### ADDITIONAL INFO

Features	T-Screw Hardware Included
Hanger Position	Vertical & Horizontal

### CONTRACT

Contract Suitability	Contract Suitable As Is
----------------------	-------------------------