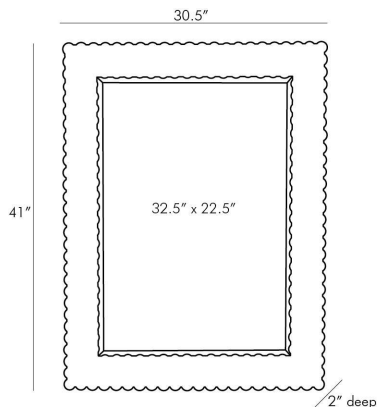


ARTERIOS

PAXTON MIRROR



4616
Black Stained, Wood

Filled with visual and tactile textures, the Paxton mirror is a beautiful work of craftsmanship. Every single knob is hand carved from solid wood, then affixed to the frame to be finished in a rich, black stain. The look is African-inspired, but with a modern leaning. Beveled mirror. Also available in a floor length version (4615).

APPEARANCE

Materials	Wood, Wood, Mirror
Finishes	Black Stained, Black Stained, Beveled
Finish Will Vary	No
Top Coat/Sealant	Yes

DIMENSIONS

Overall	W: 30.5 in x D: 2 in x H: 41 in
Actual Mirror	W: 22.5 in x H: 32.5 in

SHIPPING

Shipping Requirements	Truck Ship
Product Weight	34.5 lbs
Gross Weight 1	48.85 lbs
Shipping Box 1	W: 8.0 in x D: 45.0 in x H: 36.0 in

ADDITIONAL INFO

Features	T-Screw Hardware Included
Hanger Position	Vertical & Horizontal

CONTRACT

Contract Suitability	Contract Suitable As Is
----------------------	-------------------------